

## Composites

### STAINLESS STEEL accessories

#### Stainless Trims

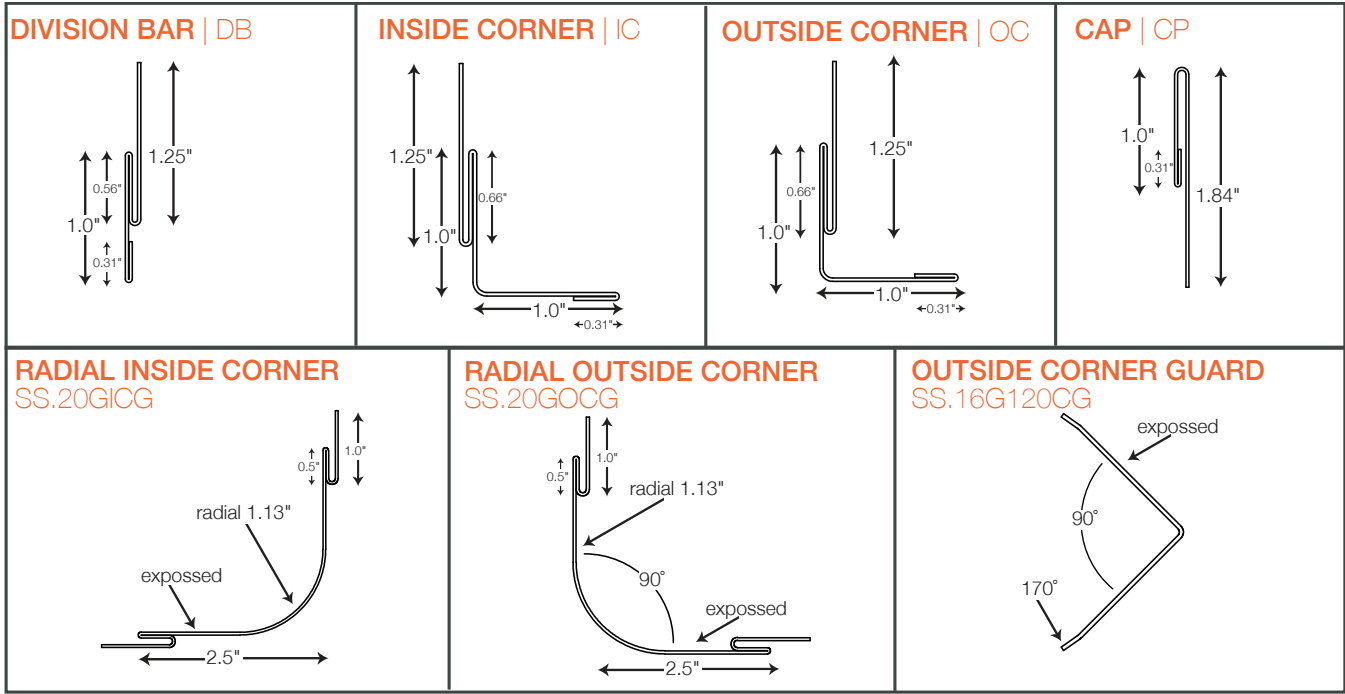
**PRODUCT**

Stainless Trims are the answer to having a sanitary, durable, and clean transition while providing increased impact resistance and longevity to develop a more aesthetically pleasing finish.

**PURPOSE**

For use with GLASBORD wall panels for a seamless hygienic solution. Available in 8' and 10' lengths.

NOTE: Images are not drawn to scale and are depicted in inches



	Division Bar	Inside Corner	Outside Corner	End Cap	Radial Inside Corner	Radial Outside Corner	Outside Corner Guard
Stainless Trims	SS.DB	SS.IC	SS.OC	SS.OP	SS.20GI1CG	SS.20GO1CG	SS.16G120CG

A global leading provider of resilient wall and ceiling coverings. Kemlite® was established in 1954 and the company changed names to Crane Composites in 2007. Crane Composites is headquartered in Channahon, IL and all our products are manufactured in the United States. We work with hundreds of distributors, ensuring our products are easily accessible and readily available to our customers.

The following are trademarks of Crane Composites, Inc. or a related company: Glasbord, Kemlite, Kemply, Surfaseal, Sanigrig, Silhouette Trims and Varietex