

GLASBOND™ TRIMS

PRODUCT CODE: PST

SELF-ADHERED TWO-PIECE MOLDINGS

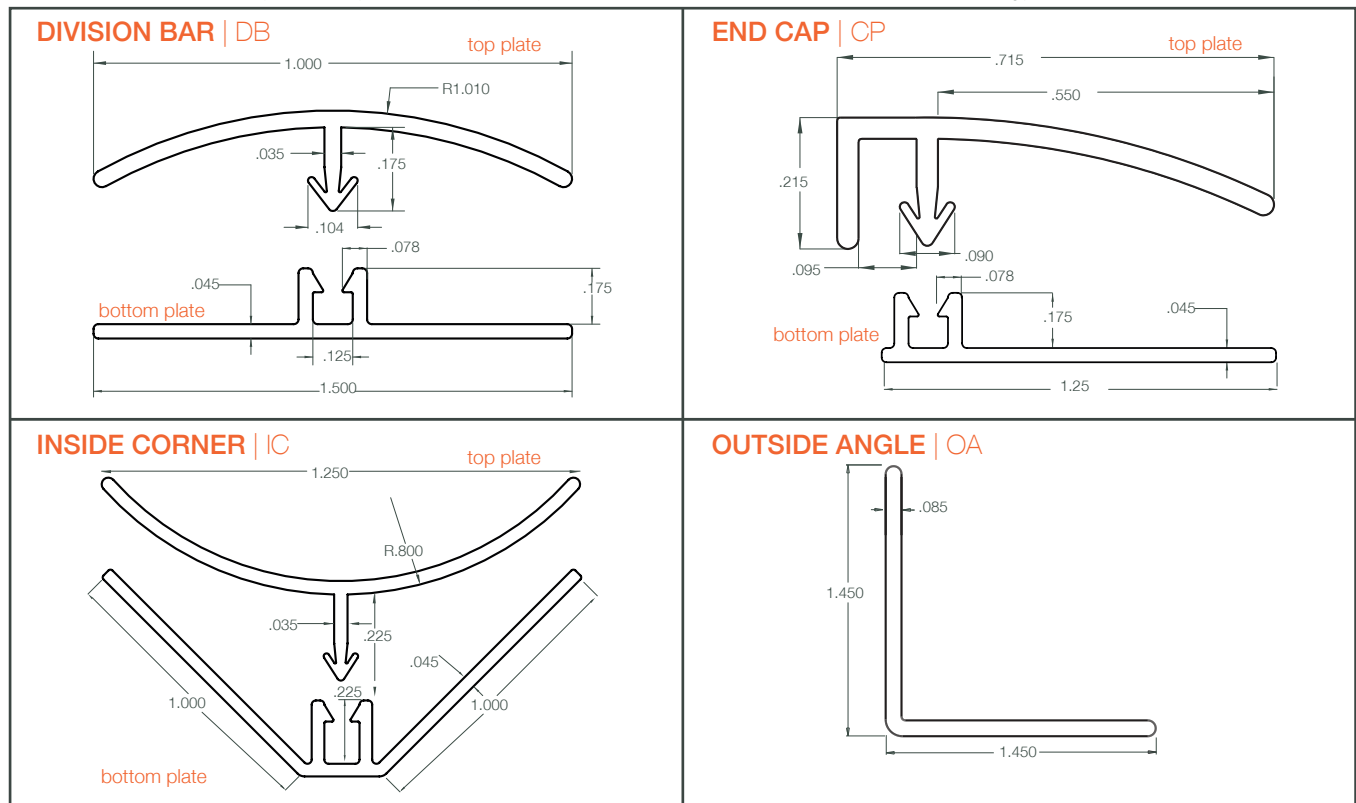
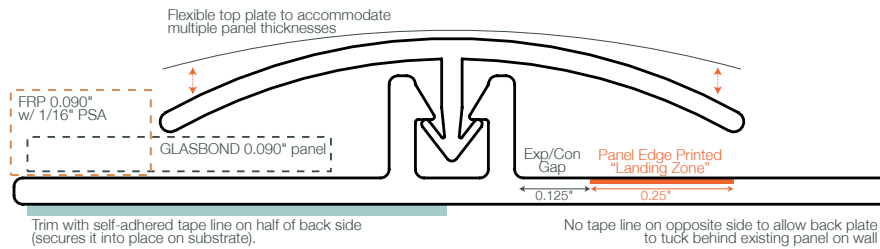
PRODUCT

Complete the GLASBOND installation process with GLASBOND TRIMS. GLASBOND TRIMS are PVC contractor grade two-piece moldings. They are perfect for use with GLASBOND panels with a self-adhered back plate and a front plate that clicks into place.

PURPOSE

For use with GLASBOND wall panel. Available in 8' and 10' lengths.

NOTE: Images are not drawn to scale and are depicted in inches



GLASBOND TRIMS white (85)		Division Bar	End Cap	Inside Corner	Outside Angle
Front Plate	8'	PST.2DBFP8	PST.2CPFP8	PST.2ICFP8	ONE-PIECE MOLDING V.OA85V10
	10'	PST.2DBFP10	PST.2CPFP10	PST.2ICFP10	
Back Plate	8'	PST.2DBBP8	PST.2CPBP8	PST.2ICBP8	
	10'	PST.2DBBP10	PST.2CPBP10	PST.2ICBP10	

HACCP CERTIFICATION REQUIREMENTS FOR INSTALLED APPLICATIONS

Trims need to be sealed with food safe silicone if used in a food processing facility per HACCP certification.

A global leading provider of resilient wall and ceiling coverings. Kemlite® was established in 1954 and the company changed names to Crane Composites in 2007. Crane Composites is headquartered in Channahon, IL and all our products are manufactured in the United States. We work with hundreds of distributors, ensuring our products are easily accessible and readily available to our customers.

THE FOLLOWING ARE TRADEMARKS OF CRANE COMPOSITES, INC. OR A RELATED COMPANY: GLASBOND, KEMLITE, KEMPLY, SURFSEAL, SANIGRID, SILHOUETTE TRIMS AND VARIETEX

